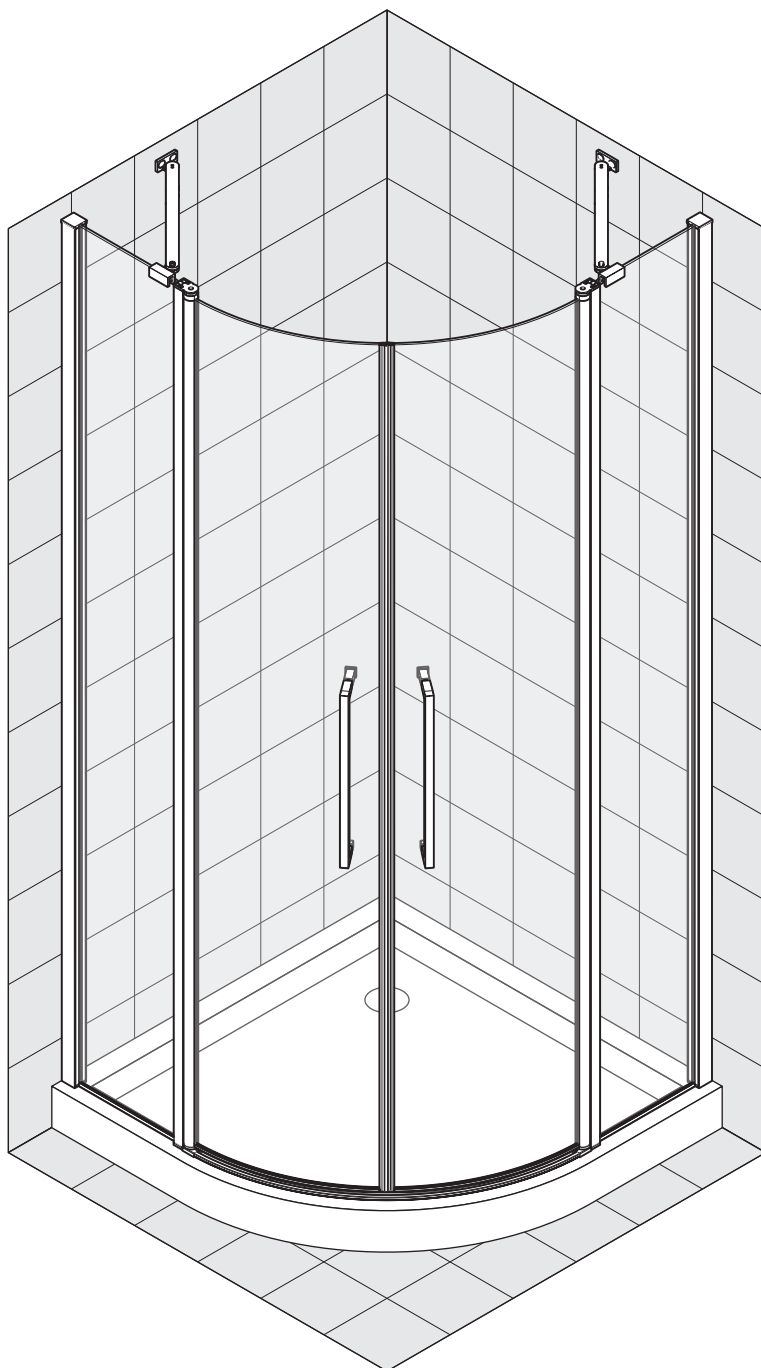
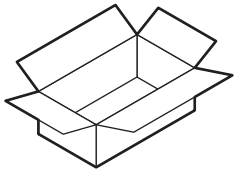
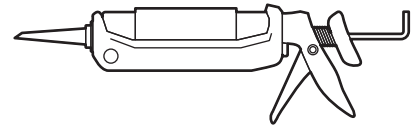
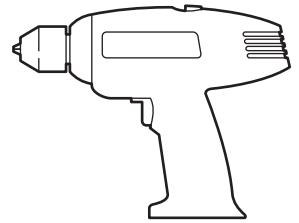
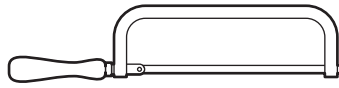
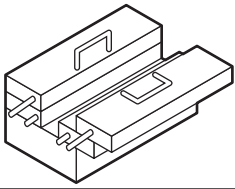


R2



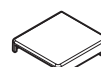
x1



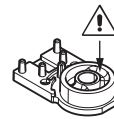
x1



x2



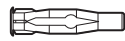
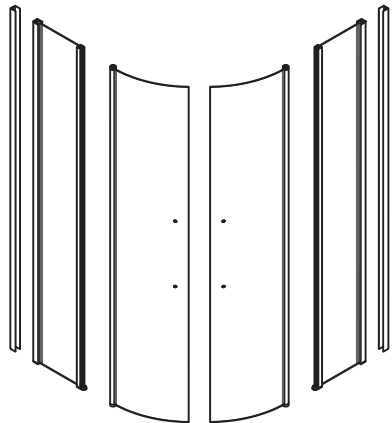
x2



x2



x2



FU8x50 x6



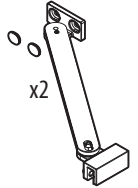
3,5x32 x8



3,5x9,5 x6



S6 x4



x2



4,5x60 x6



x6



4x35 x4



x2



x2



x4



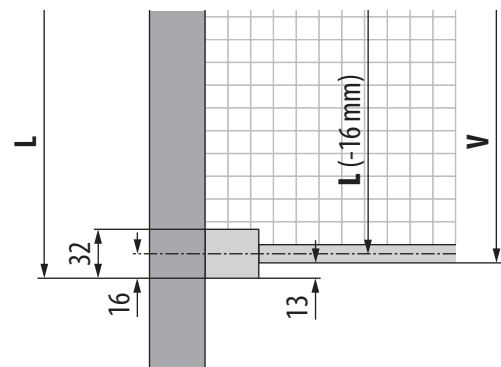
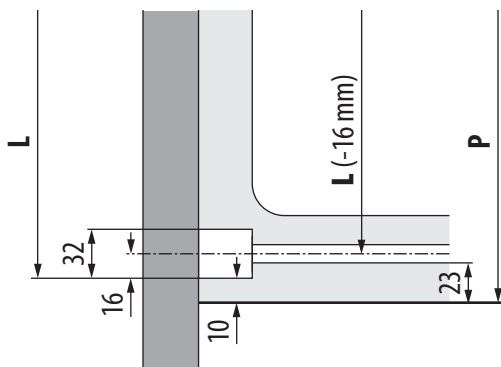
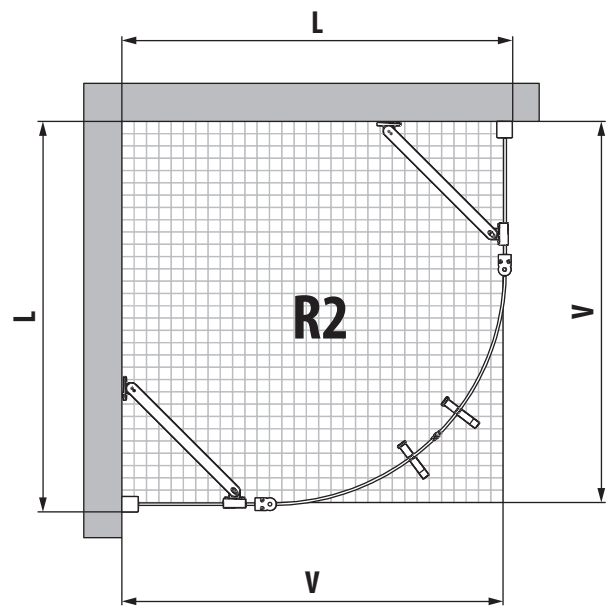
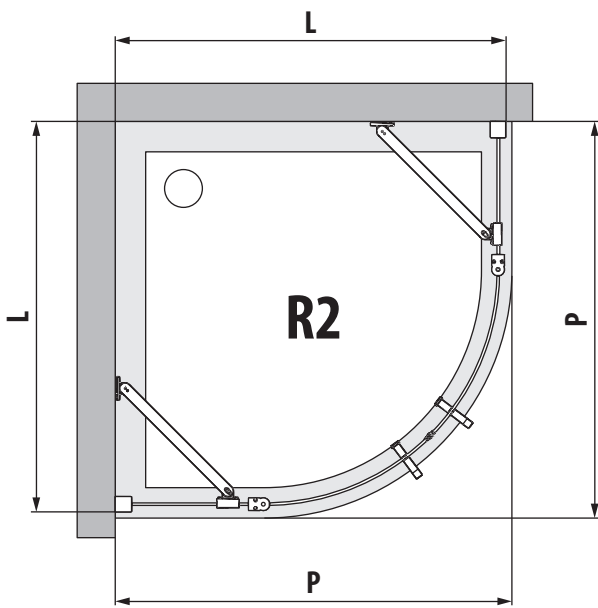
x2



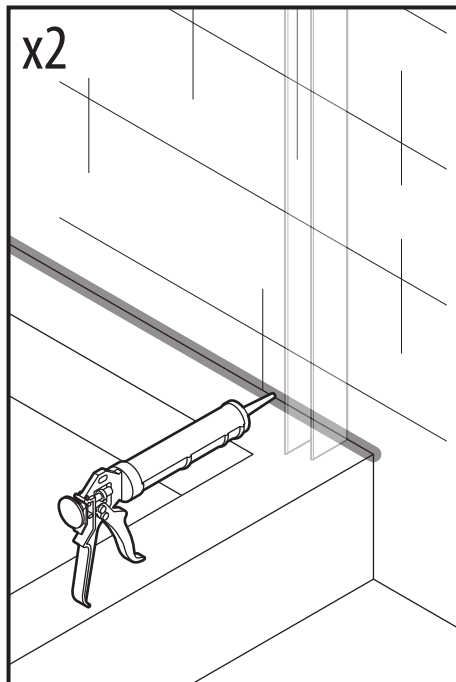
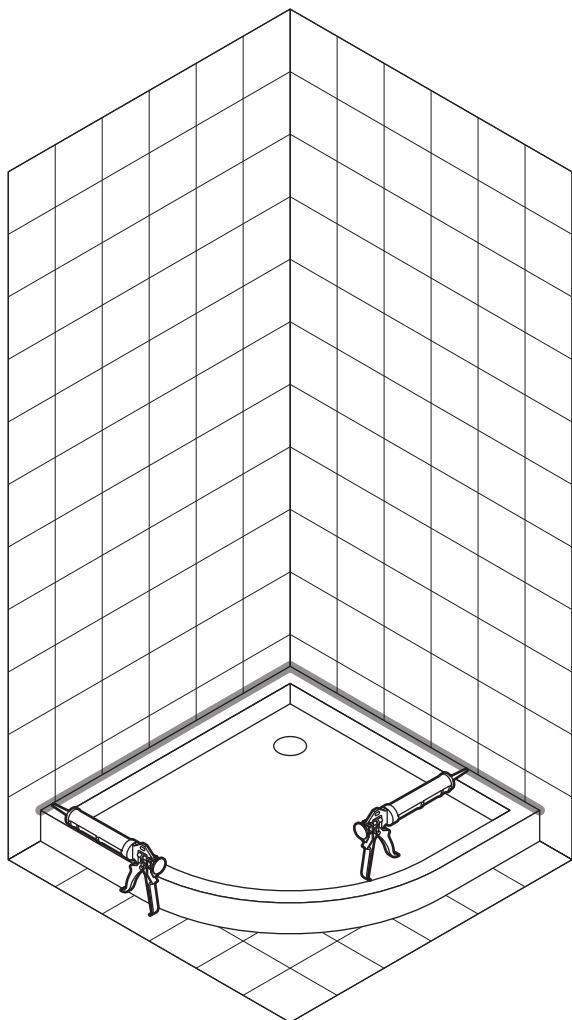
x1

R2	P	L mm
80	785-805	775-795
90	885-905	875-895
100	985-1005	975-995

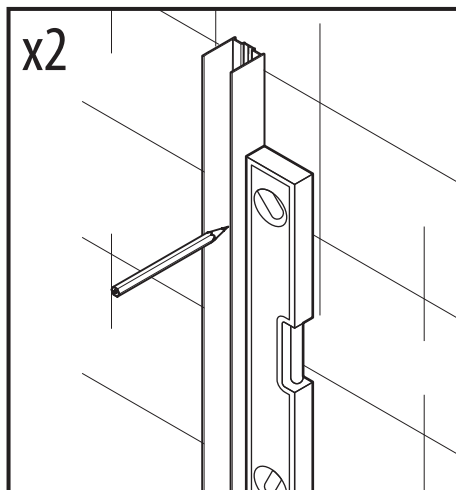
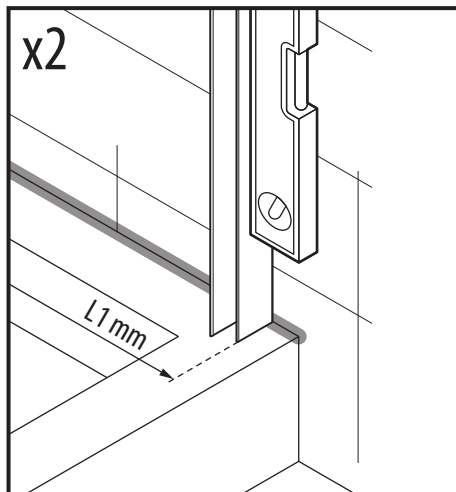
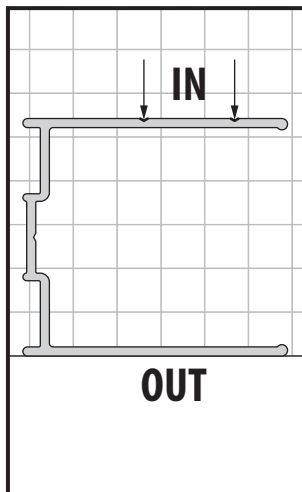
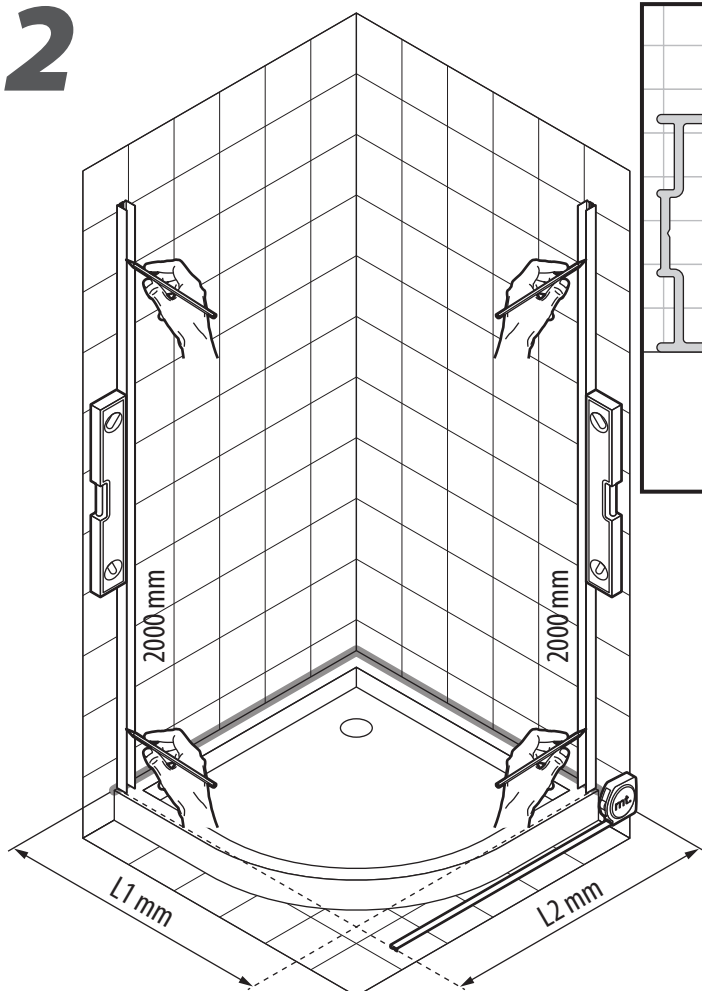
R2	V	L mm
80	762-782	775-795
90	862-882	875-895
100	962-982	975-995



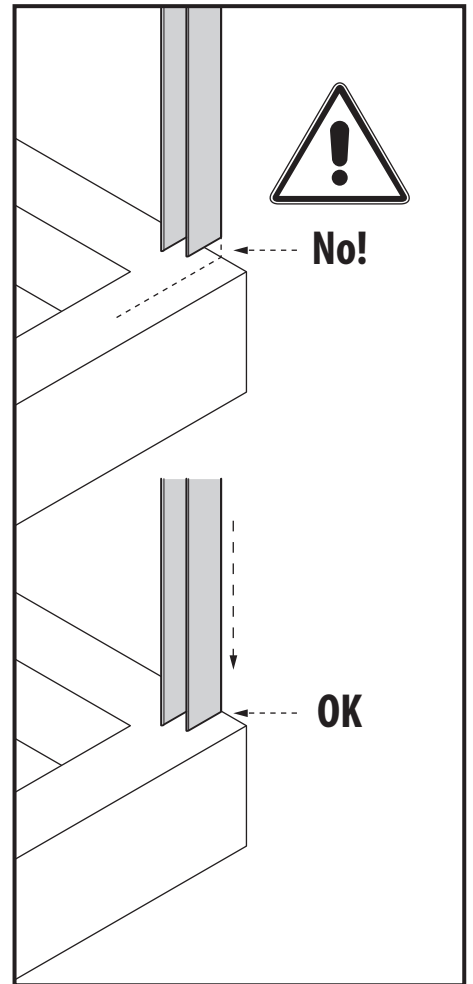
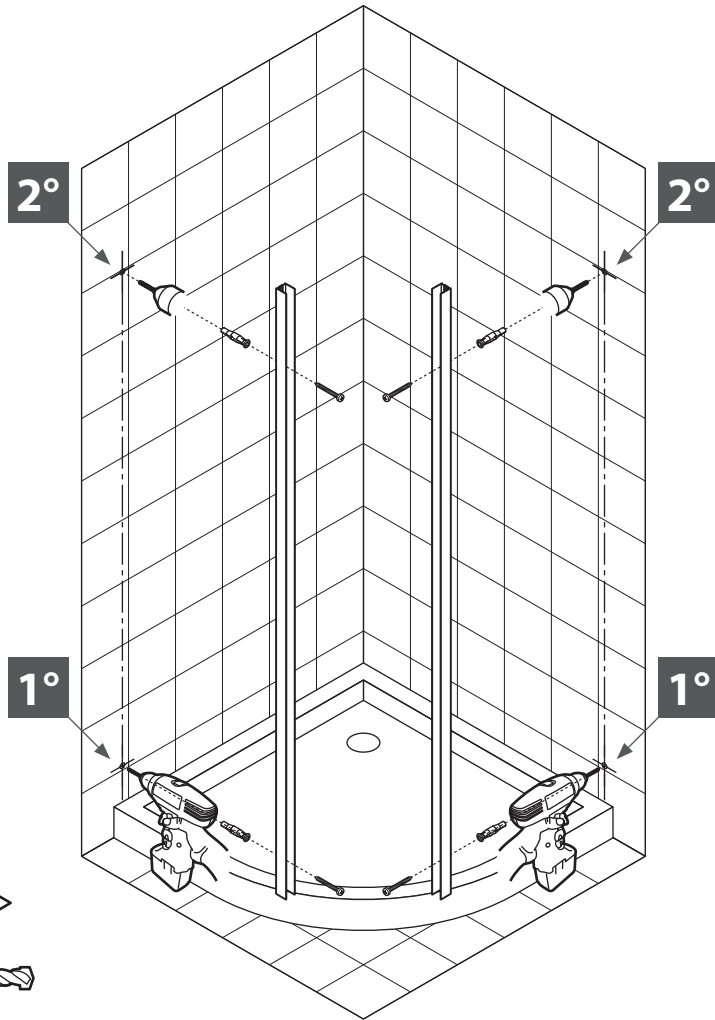
1



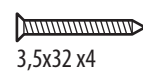
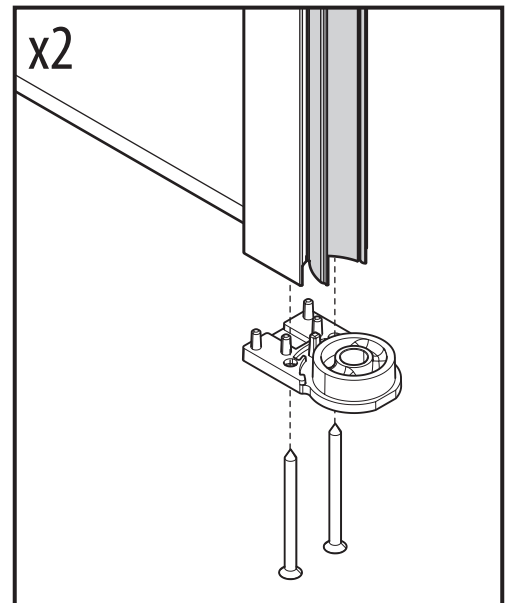
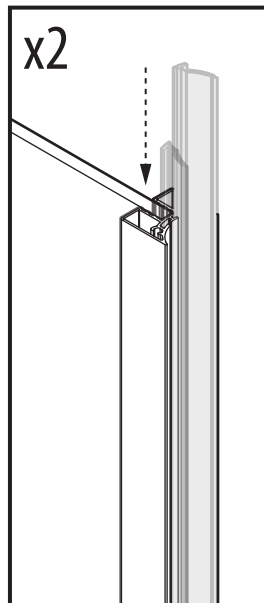
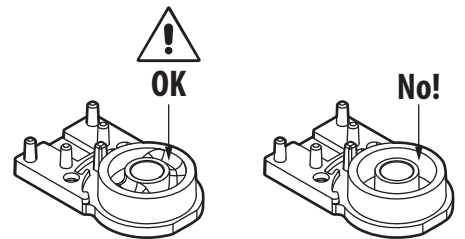
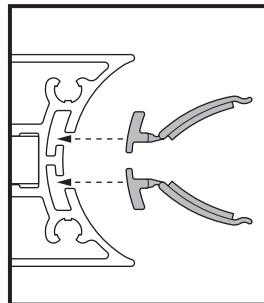
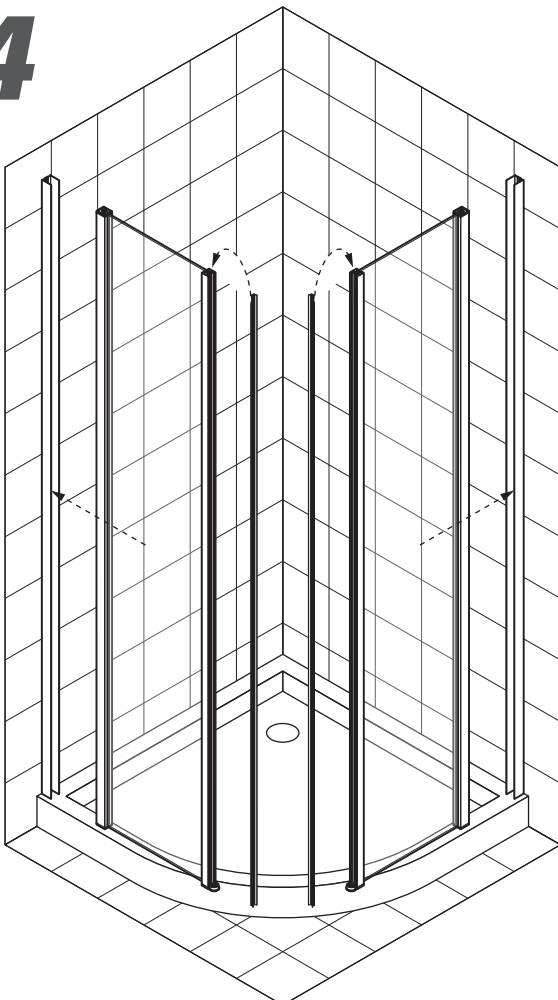
2



# 3

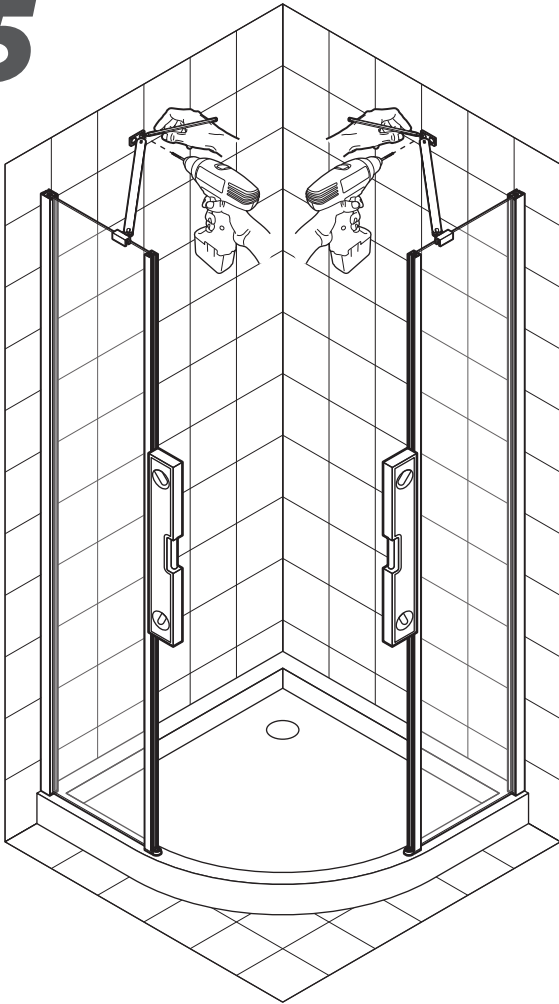


# 4


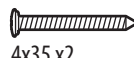



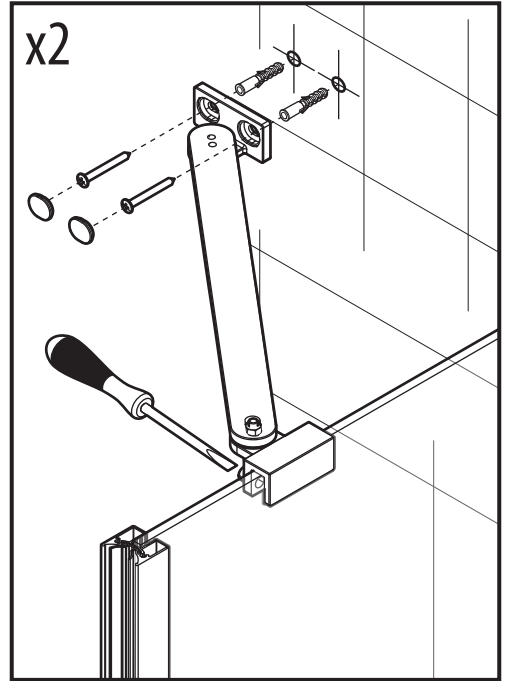
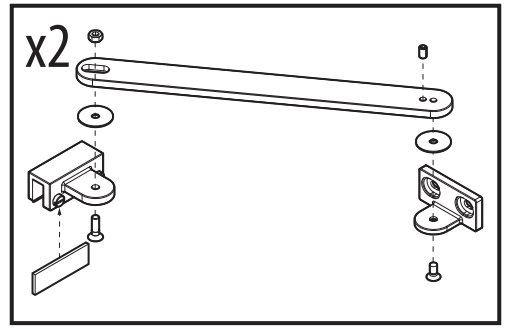
# 5

# 5

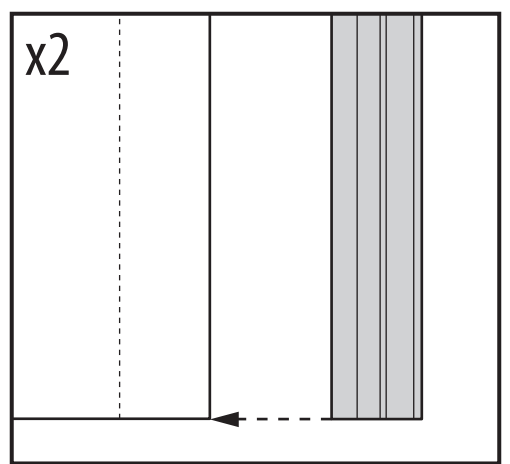
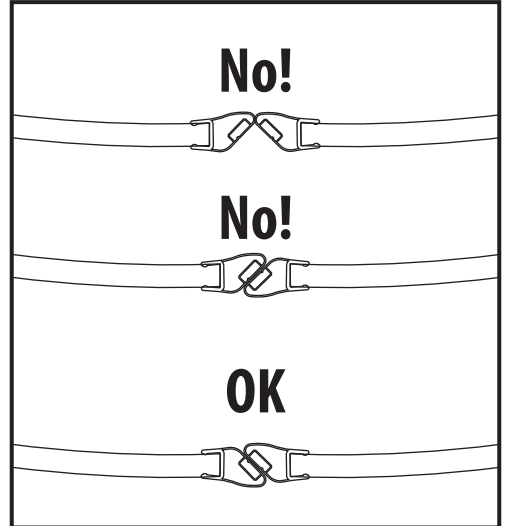
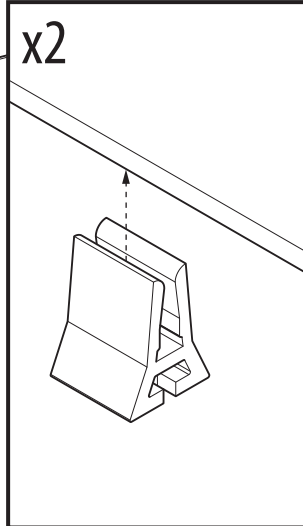
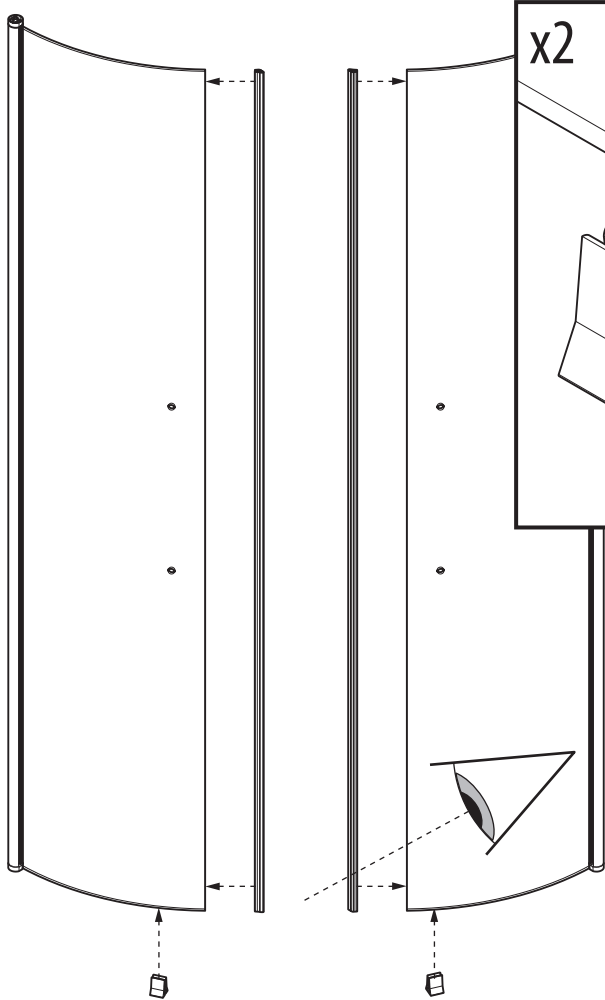


-  M5 x2
-  M5x8 x2
-  M5x10 x2
-  M5x16 x2

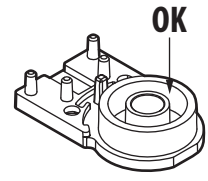
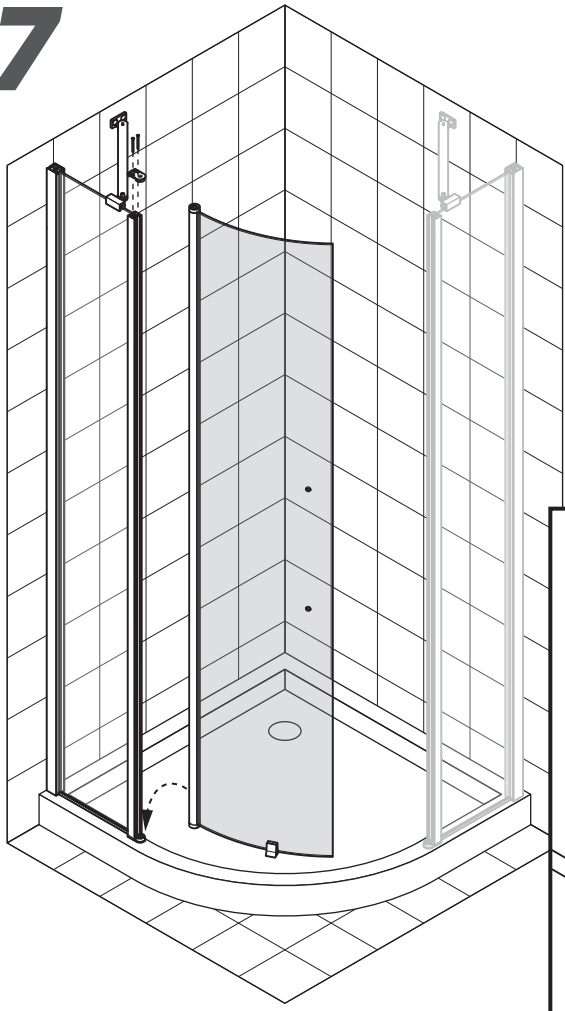
-  S6 x2
-  4x35 x2
-  ø6 mm



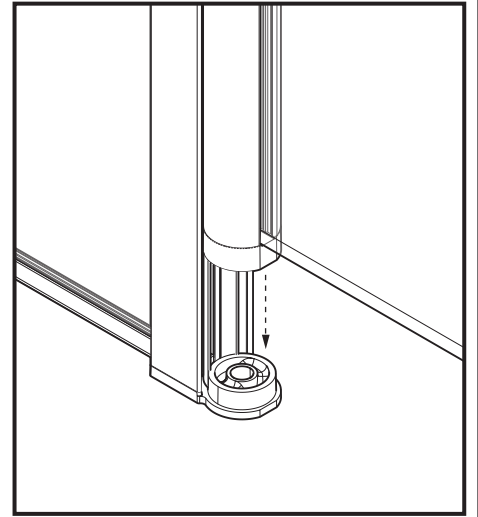
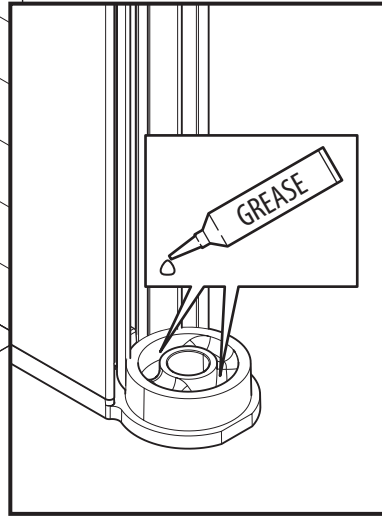
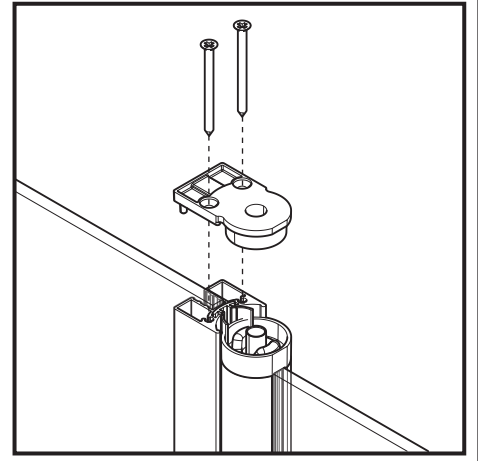
# 6



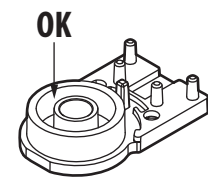
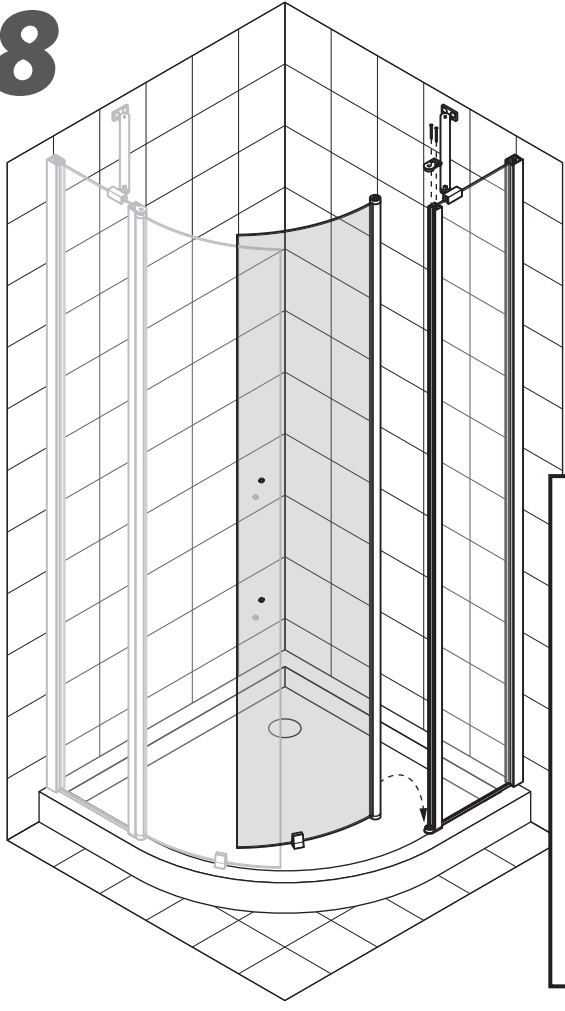
7



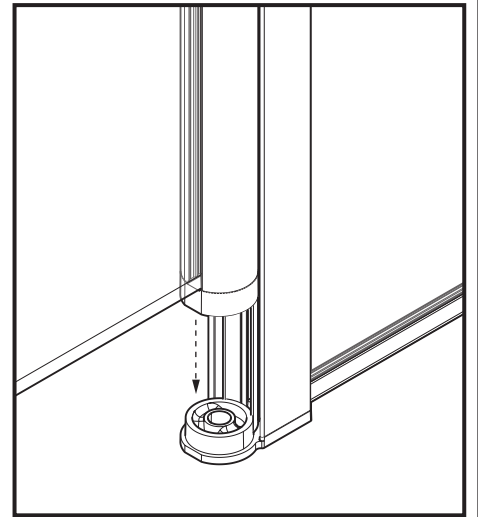
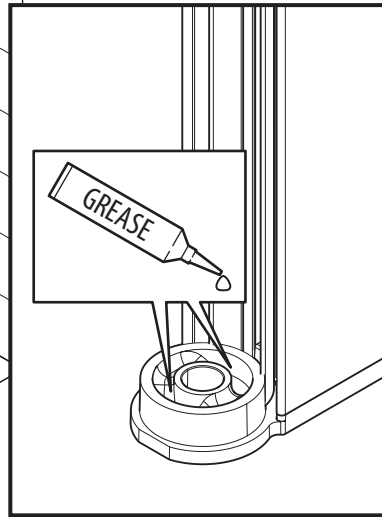
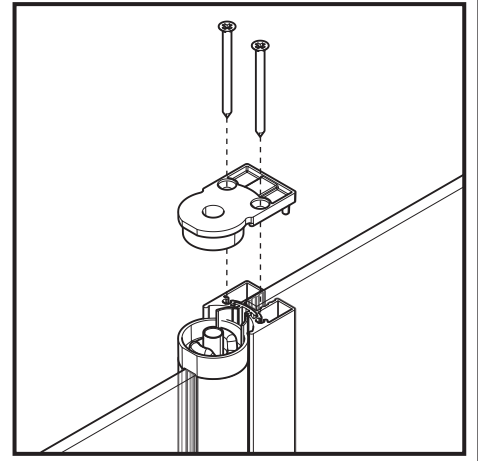
3,5x32 x2



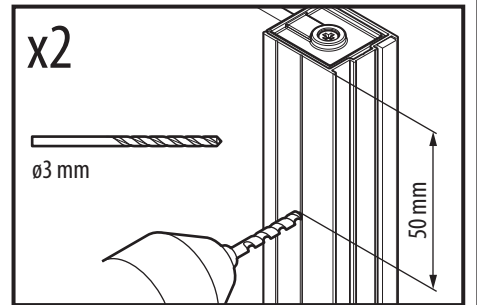
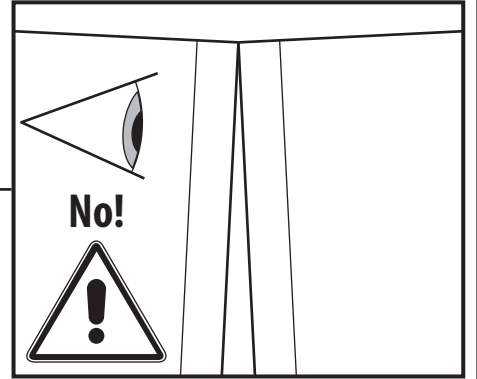
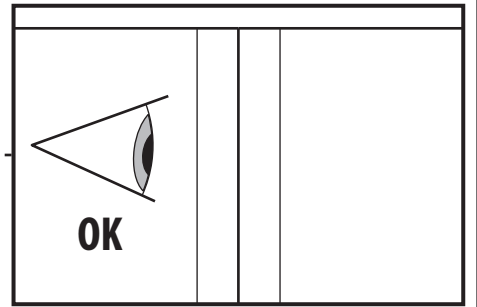
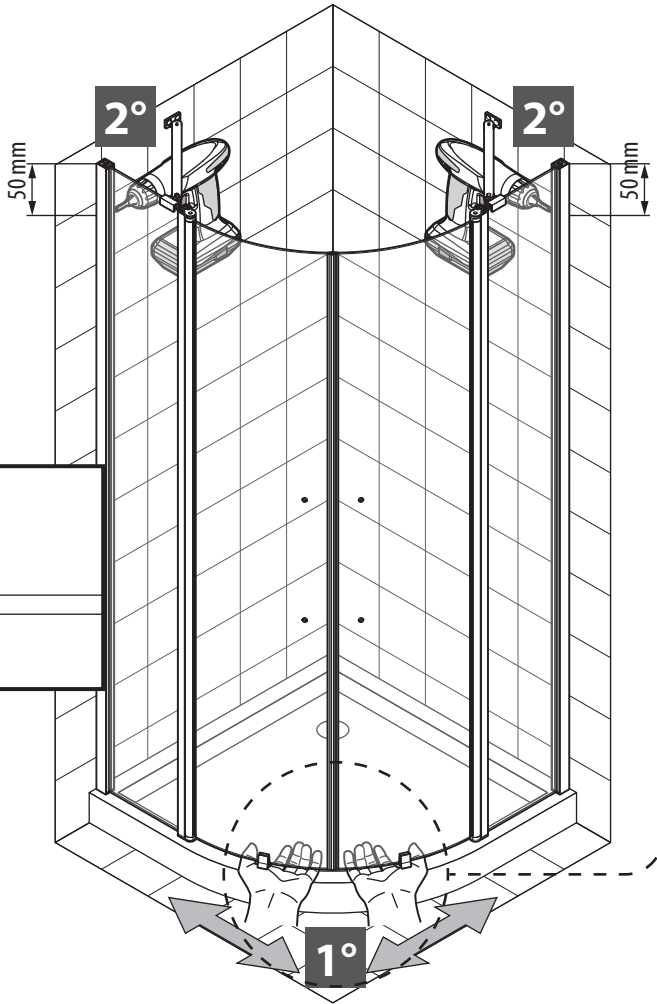
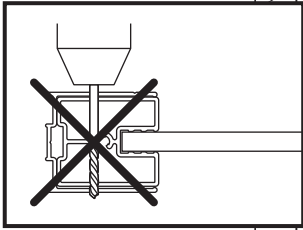
8



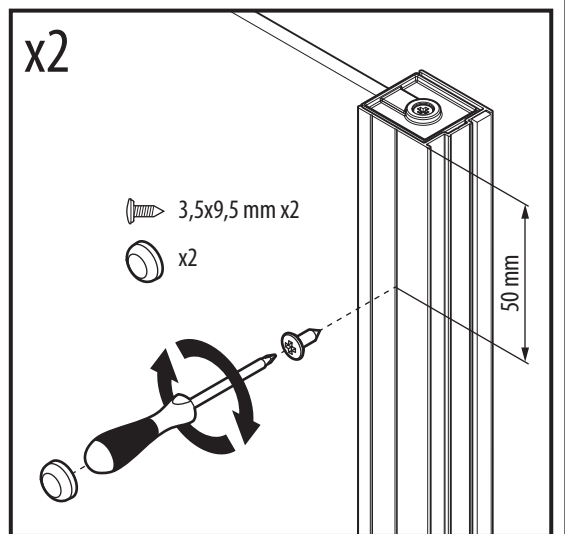
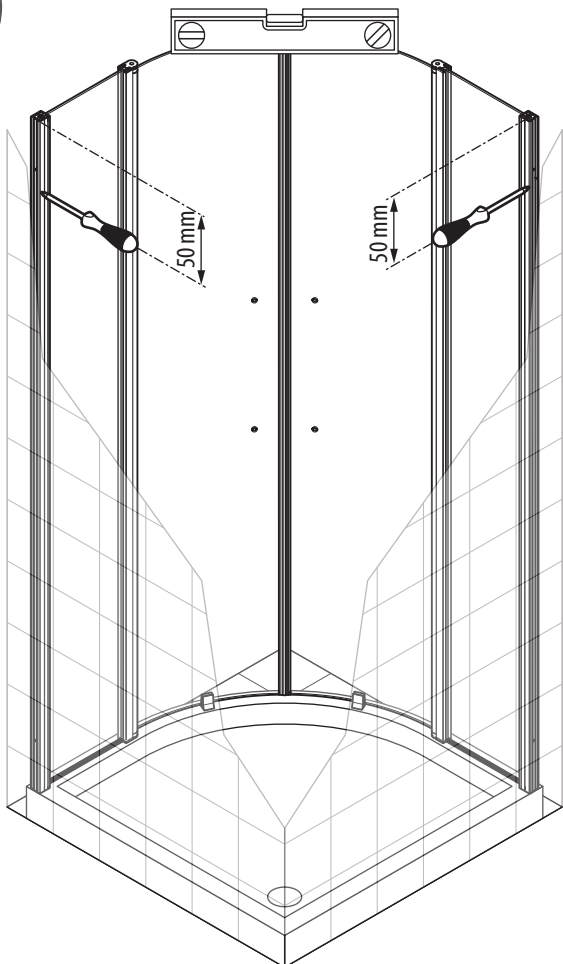
3,5x32 x2



# 9

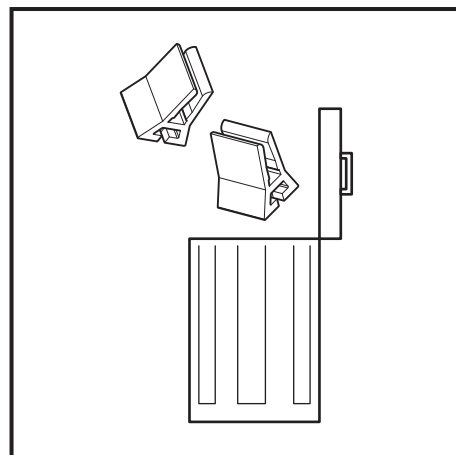
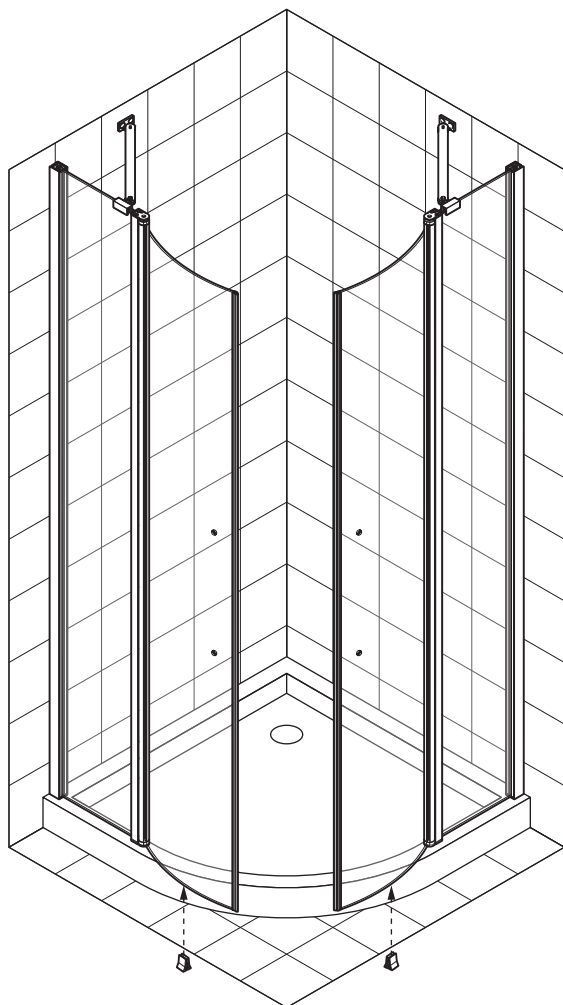


# 10

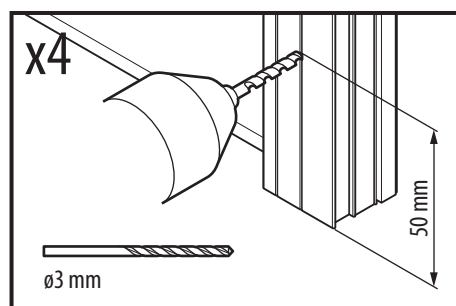
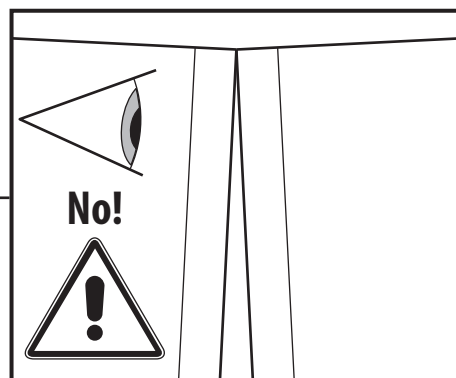
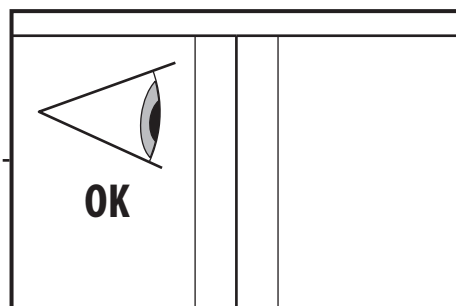
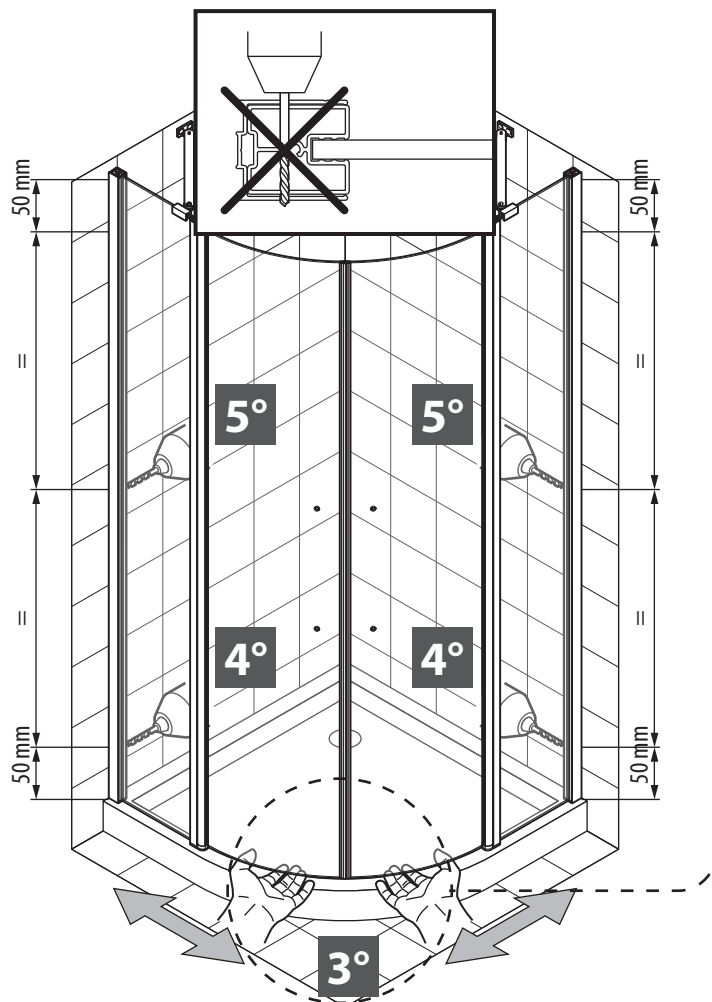




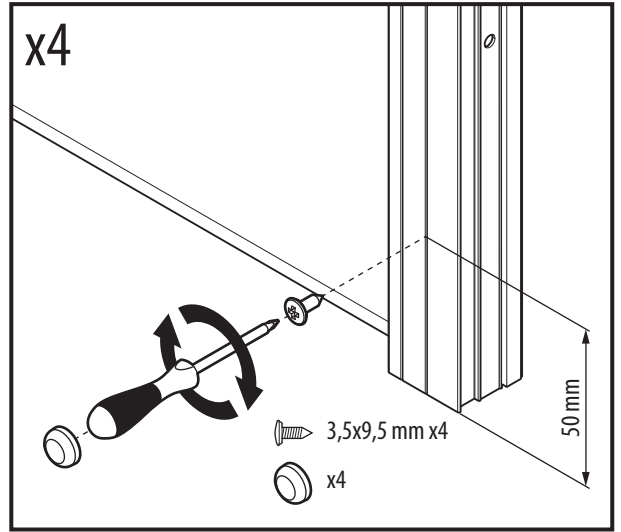
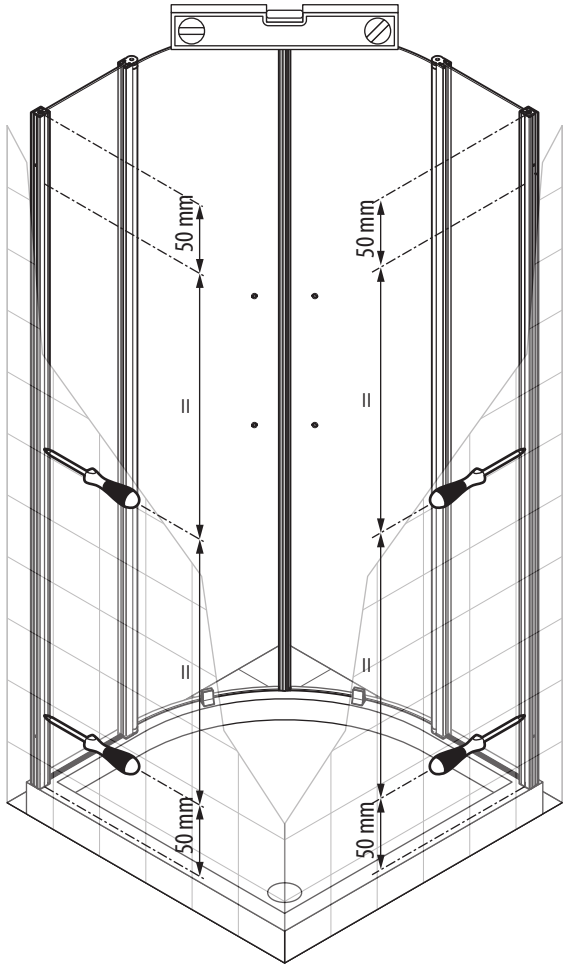
# 11



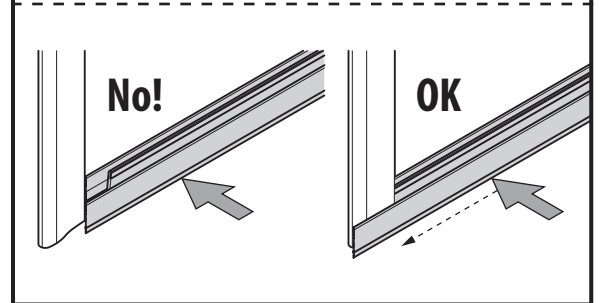
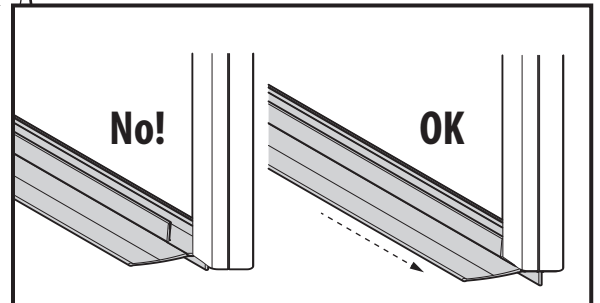
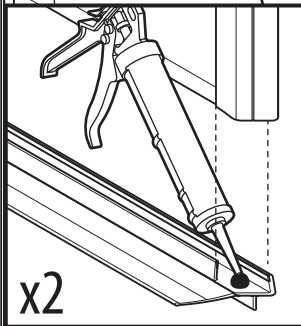
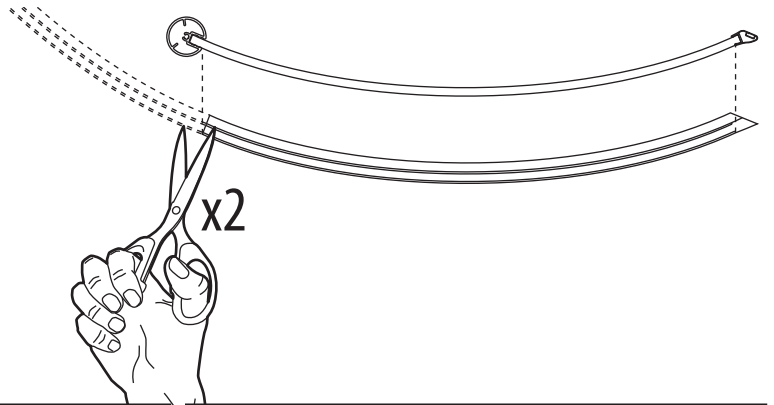
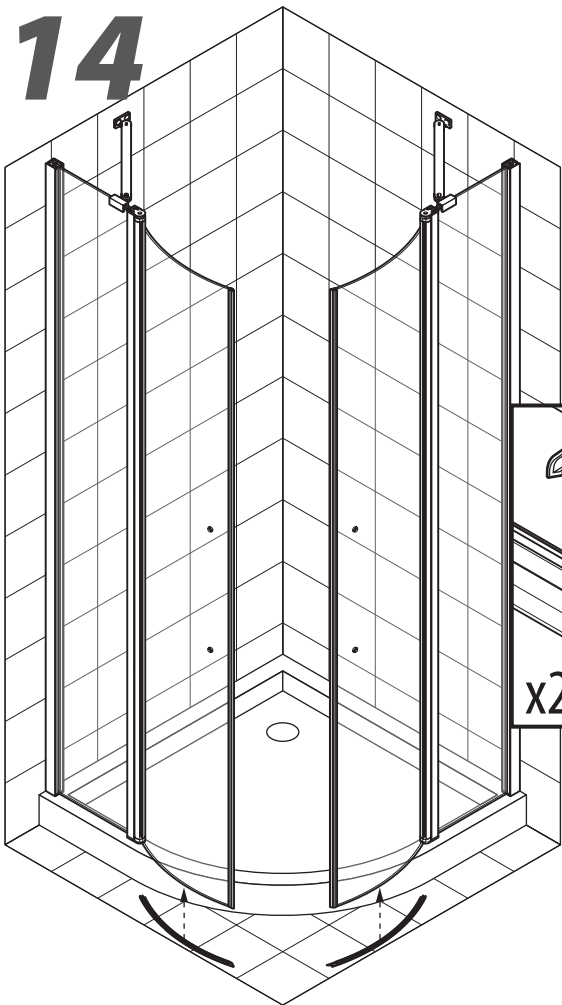
# 12



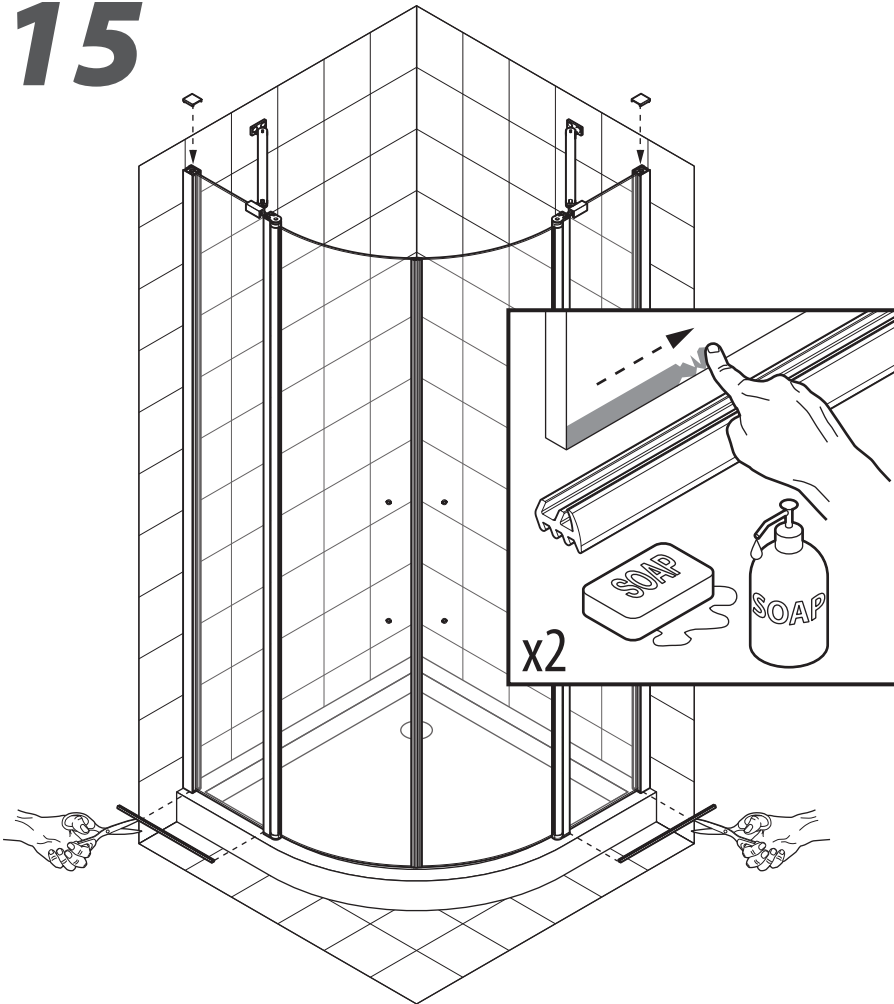
# 13



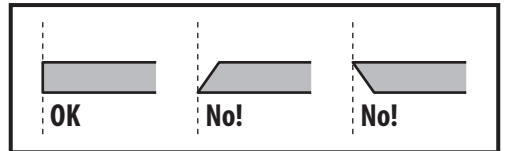
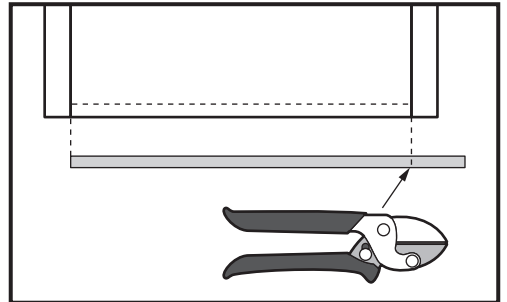
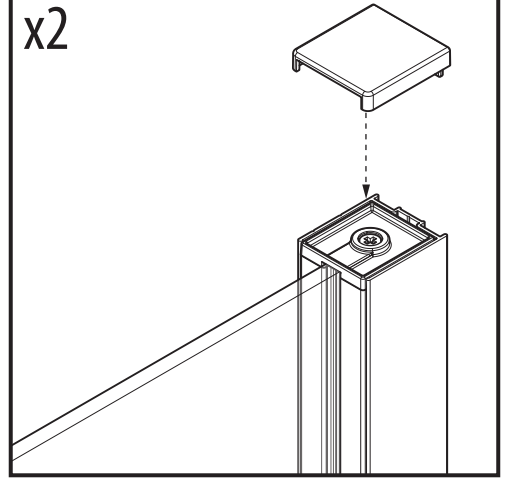
# 14



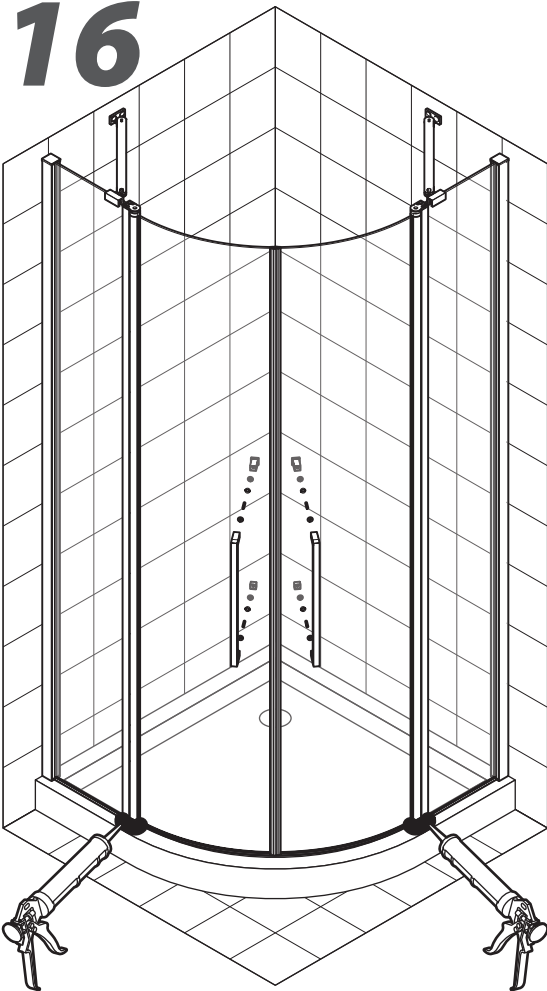
# 15



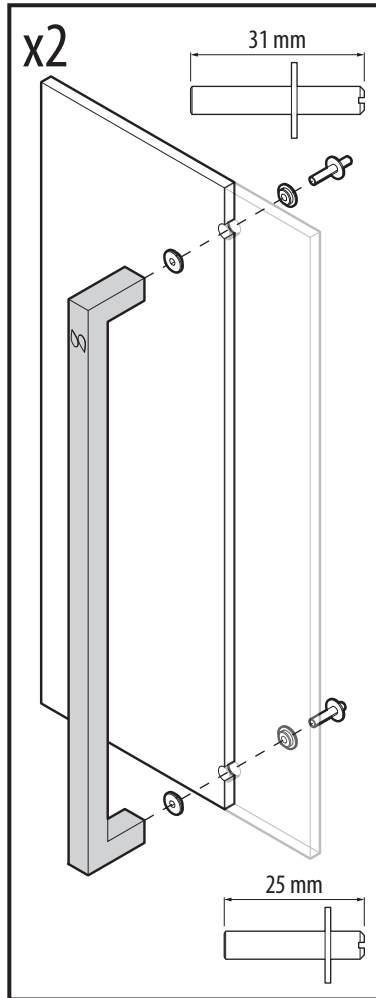
x2



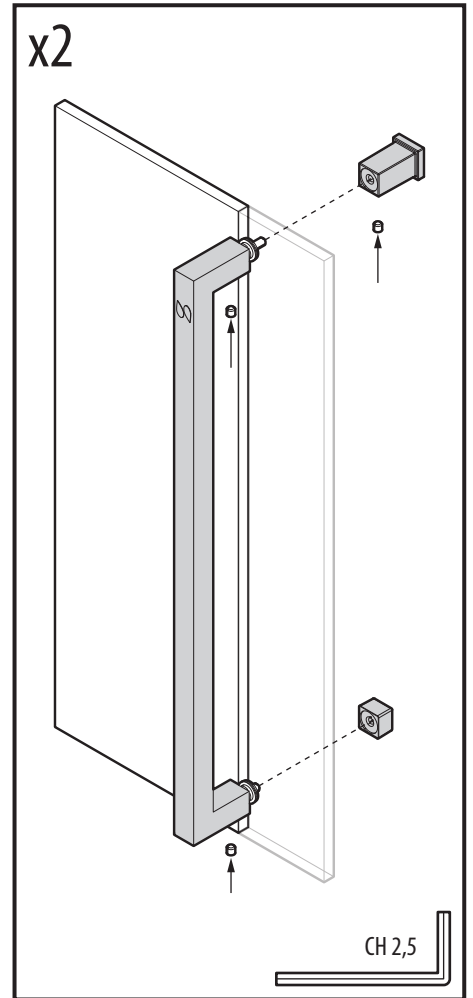
# 16



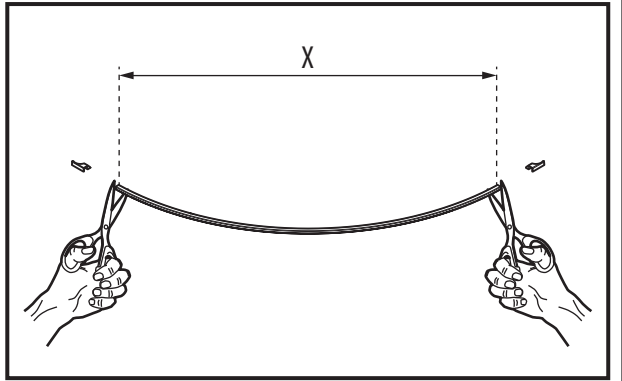
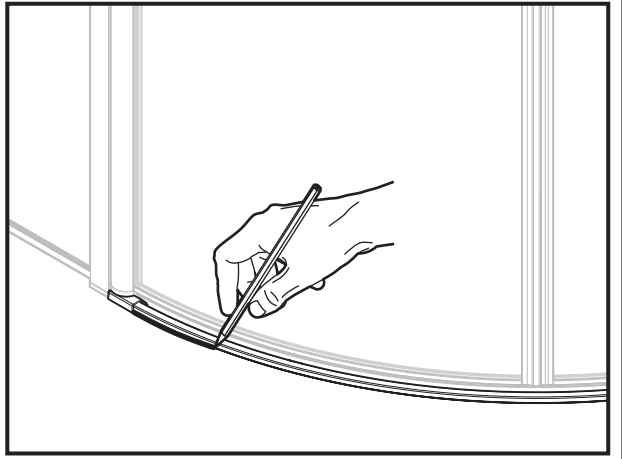
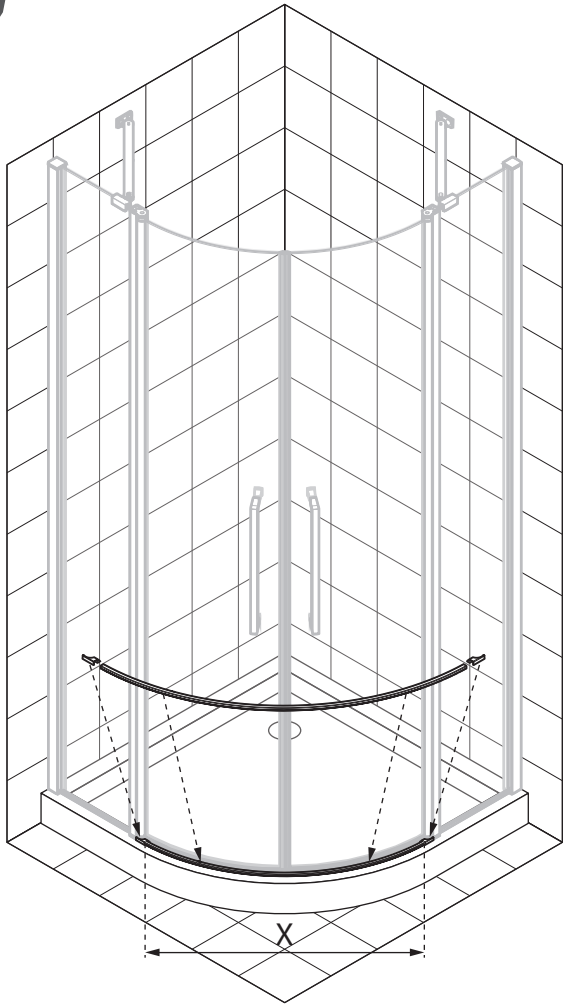
x2



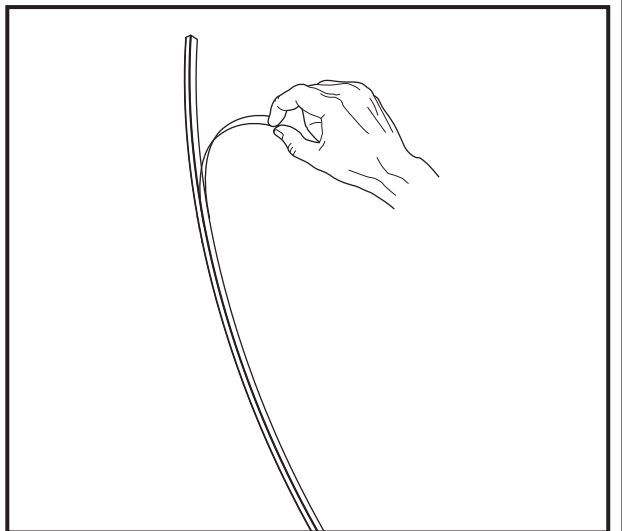
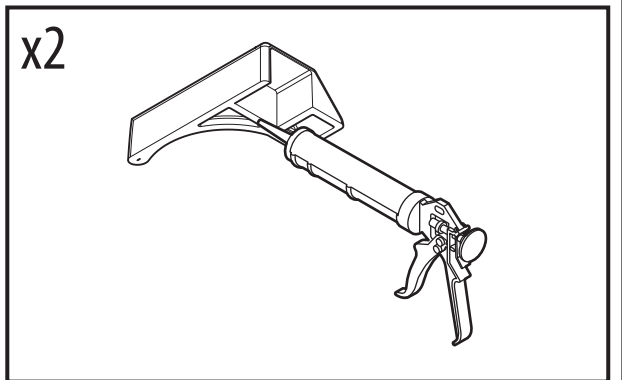
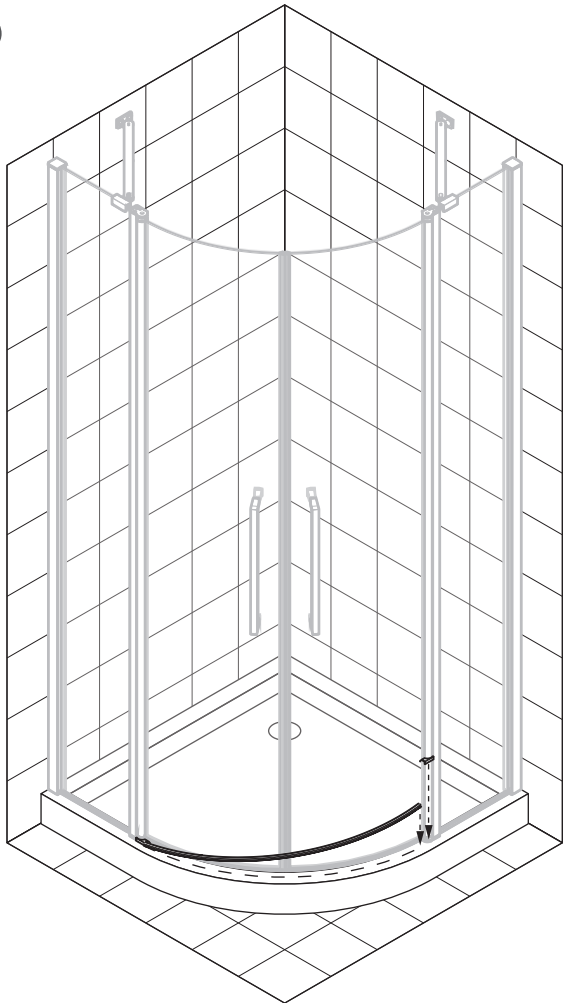
x2



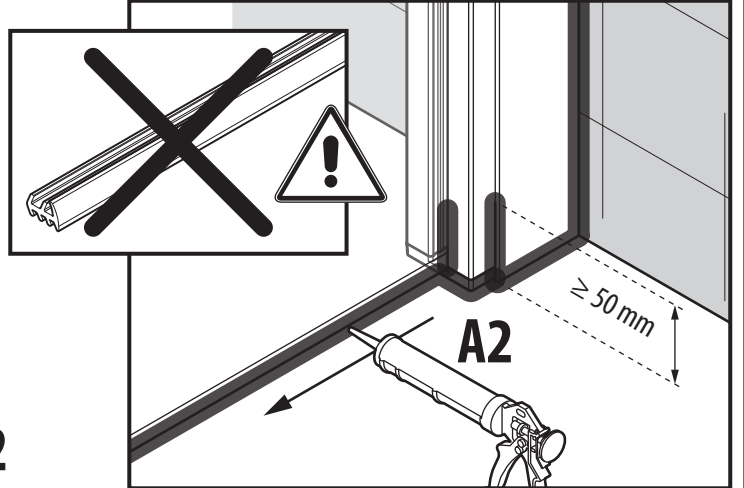
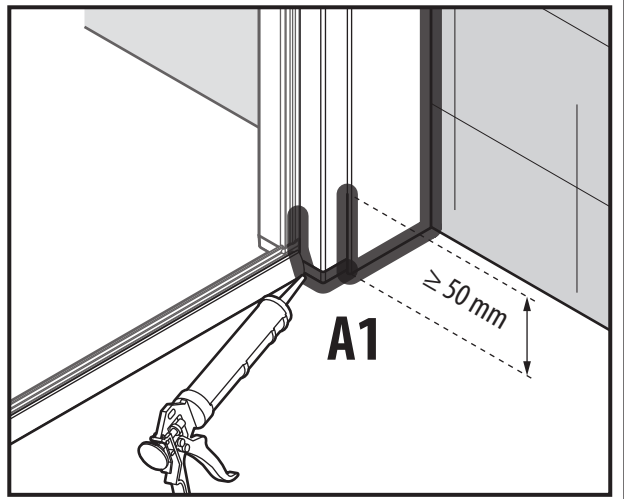
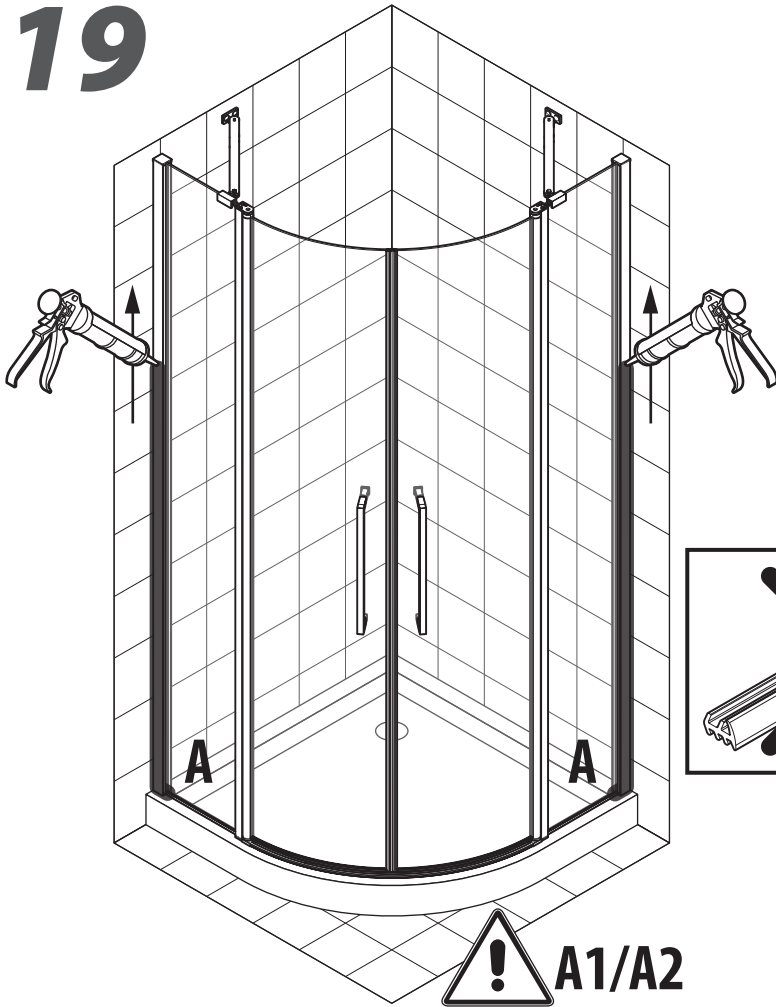
# 17



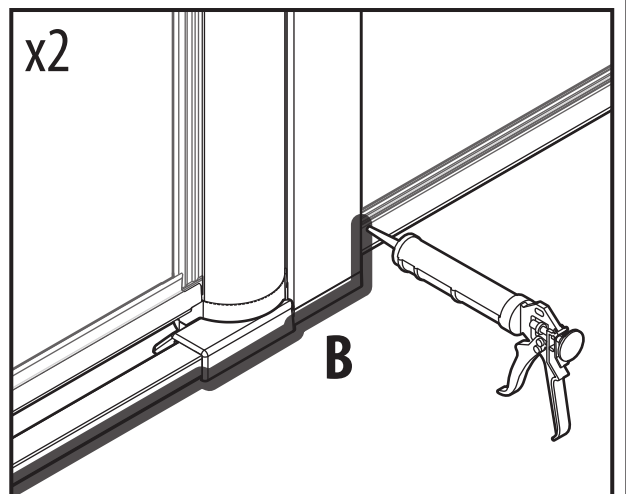
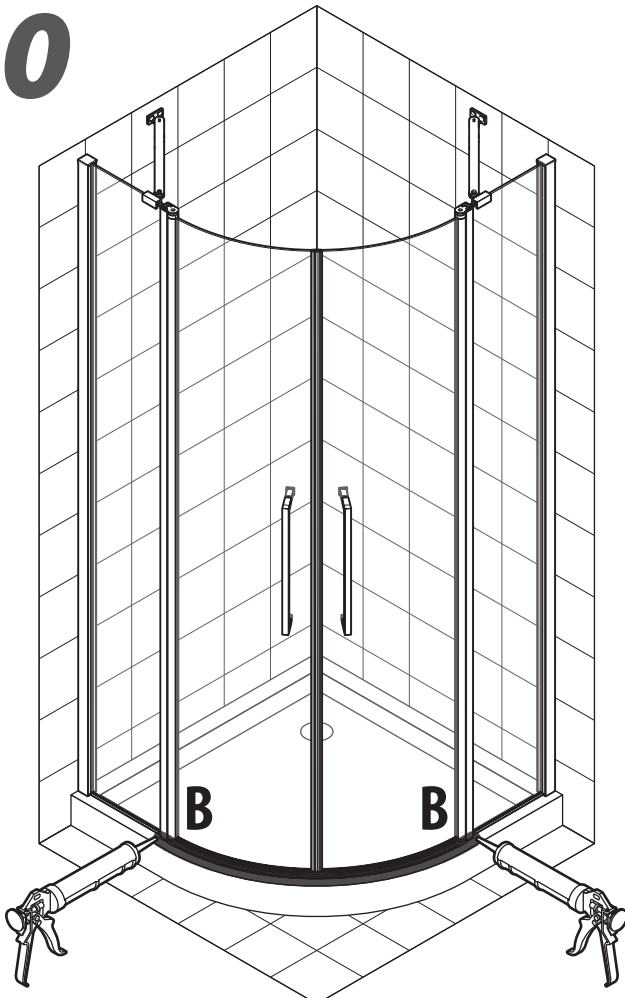
# 18



# 19



# 20



# 21

