

## AXOR Urquiola

Single lever basin mixer for concealed installation wall-mounted with spout 200 mm

Finish: **Chrome** Article Number: **11026000**



### product features

- consists of: single lever basin mixer for concealed installation wall-mounted, waste set
- projection: 200 mm
- handle variant: flat handle
- spray type: normal spray
- maximum flow rate at 3 bar: 5 l/min
- ceramic cartridge
- temperature limitation adjustable
- suitable for continuous flow water heaters
- non-closing waste set
- connection type: basic set
- connection dimension: DN15
- EU taxonomy: max. 6 l/min - Substantial Contribution (SC) possible

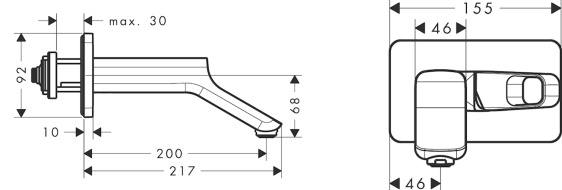
### Technology



### Product image



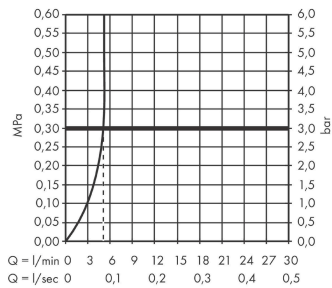
### Scale drawing



**AXOR Urquiola**  
**Single lever basin mixer for concealed installation wall-mounted with spout 200 mm**  
Finish: **Chrome** Article Number: **11026000**



## Flowchart

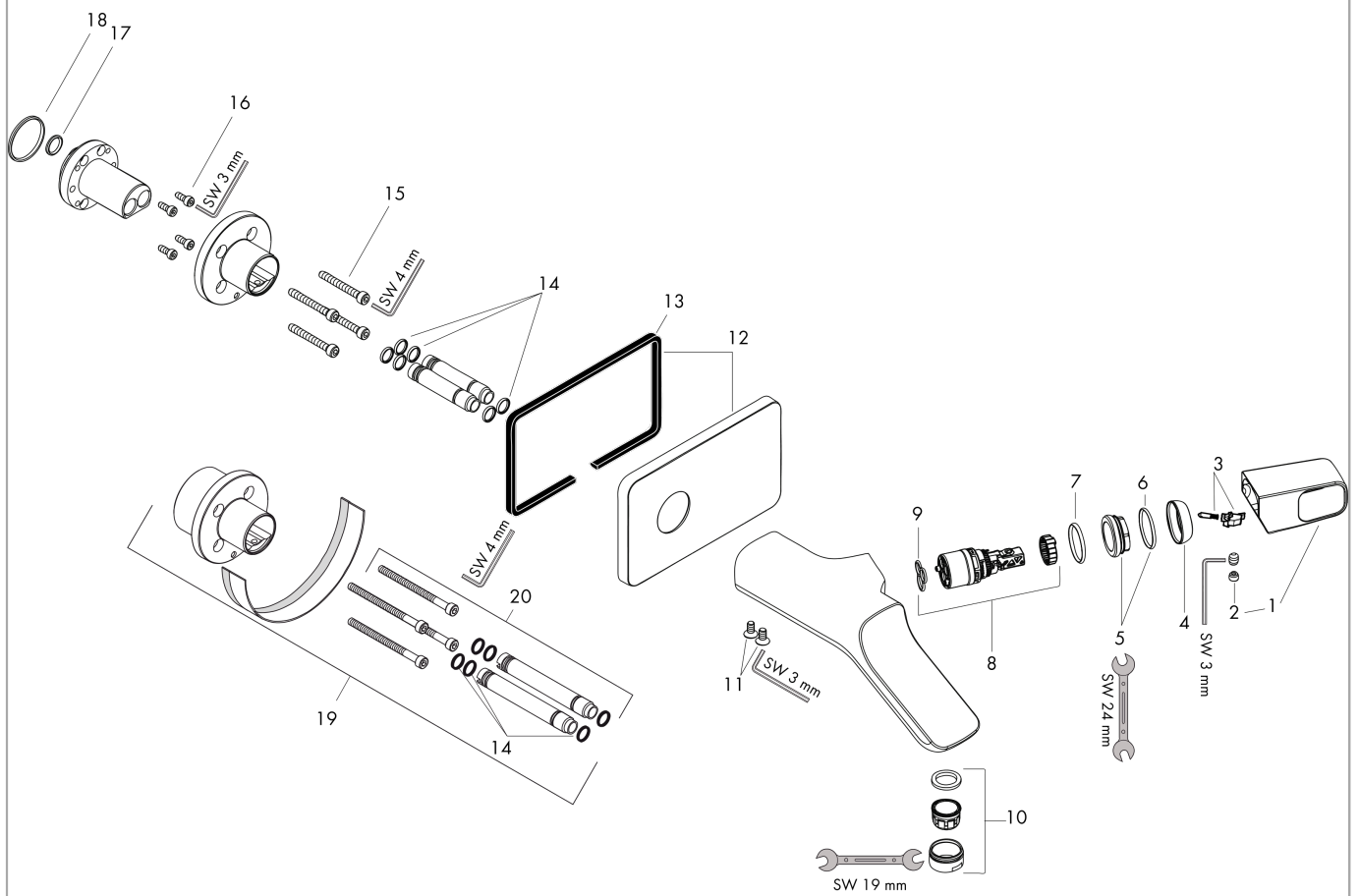


**AXOR Urquiola**  
**Single lever basin mixer for concealed installation wall-mounted with spout 200 mm**  
 Finish: **Chrome** Article Number: **11026000**



## Exploded Drawing

Year of production: >01/10



## AXOR Urquiola

Single lever basin mixer for concealed installation wall-mounted with spout 200 mm

Finish: **Chrome** Article Number: **11026000**



### Spare part list

Year of production: >01/10

Pos.		Article Number	PC	PU
1	handle	11093000	16	1
2	screw cover	96338000	1	1
3	spring with sleeve	92462000	3	1
4	flange	98863000	10	1
5	nut	95178000	9	1
6	O-Ring 22x2	98185000	1	1
7	O-ring 25x2	98389000	1	1
8	cartridge, assy	97685000	11	1
9	seal	98865000	8	1
10	aerator M24x1 (5 l/min)	13185000	98	1
11	screw	95486000	2	1
12	escutcheon	95485000	11	1
13	seal	97737000	3	1
14	O-ring 9x1,5	98117000	1	1
15	hexagon socket screw M5x40	97673000	2	1
16	hexagon socket screw M4x10	97661000	2	1
17	O-ring 11x2	98127000	1	1
18	O-Ring 30x2	98186000	1	1
19	extension set 28 mm	11980000	98	1
20	extension set 28 mm	95857000	16	1
a	concealed item	10902180	98	1
b	sealing foil	96660000	98	1
c	aerator M24x1 (3,5 l/min)	92508000	6	1
d	aerator M24x1 (4,5 l/min)	92877000	6	1
e	aerator swivelling M24x1 (5 l/min)	95928000	8	1