

DogShower

Dogs hand shower 150 3jet Select

Finish: **Matt White** Article Number: **26640700**



Description

product features

- shower head size: 150 x 63 mm
- spray type: fur spray, leg spray, paw spray
- convenient spray selection via Select button
- maximum flow rate at 3 bar: 7,6 l/min
- function from: 5,7 l/min
- operating pressure: min. 1 bar/max. 6 bar
- minimum flow pressure: 1 bar
- elongated, brush-like nozzles (1,5 cm) for thorough cleaning with massage effect
- ergonomic design
- Water Boost: boost function to increase waterflow when needed
- suitable for continous flow water heaters
- connection dimension: DN15
- rinseable screen seal
- non-return valve
- EU taxonomy: max. 8 l/min - Do No Significant Harm (DNSH)

Technology



Design awards



reddot winner 2022

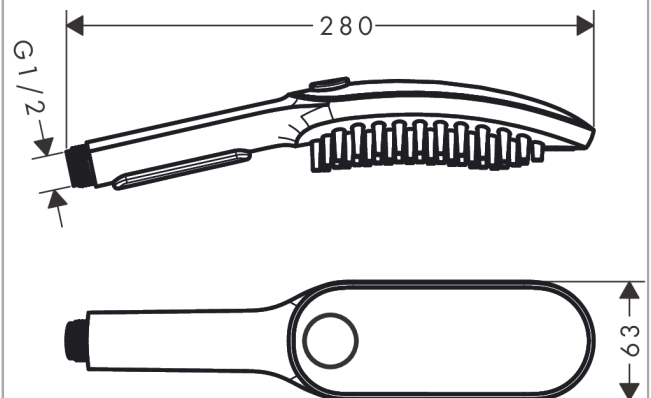


DESIGN
AWARD
2022

Product image



Scale drawing



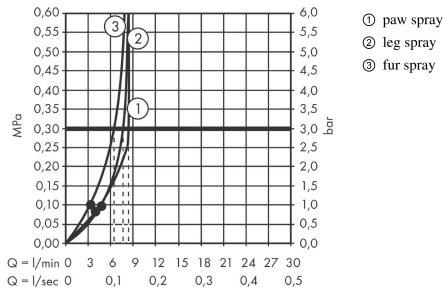
DogShower

Dogs hand shower 150 3jet Select

Finish: **Matt White** Article Number: **26640700**



Flowchart



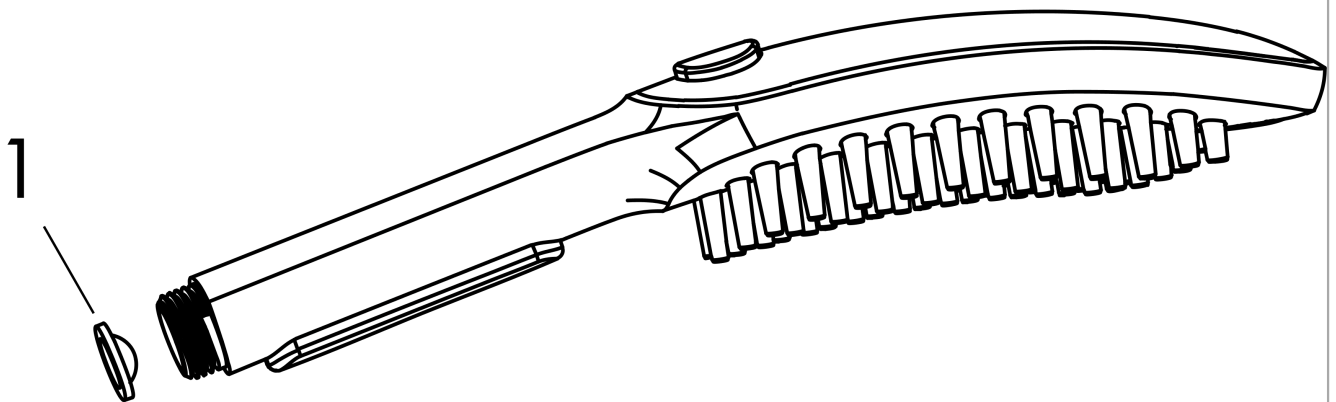
The consumption was measured in combination with the appropriate fittings (thermostat/mixer/in-wall valve) to reflect actual application in practice.

DogShower
Dogs hand shower 150 3jet Select
Finish: **Matt White** Article Number: **26640700**



Exploded Drawing

Year of production: >04/20



DogShower
Dogs hand shower 150 3jet Select
 Finish: **Matt White** Article Number: **26640700**



Spare part list

Year of production: >04/20

Pos.	Description	Article Number	PC	PU
1	filter packing	94246000	1	1